



inVENTer

Fan unit

Taris extractor fan

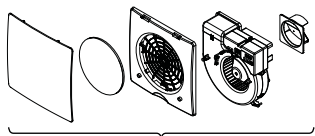


1002-0063	1002-0069
1002-0064	1002-0070
1002-0065	1002-0071
1002-0066	1002-0072
1002-0067	1002-0073
1002-0068	1002-0074

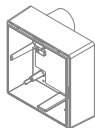


www.inventer.de



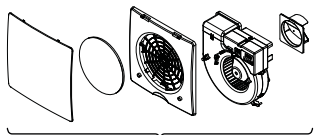


1002-0063, 1002-0065, 1002-0067
1002-0069



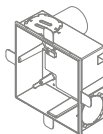
1002-0062

Surface-mounted
Taris: 4-7



1002-0063, 1002-0065, 1002-0067
1002-0069

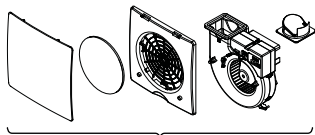
1002-0071, 1002-0073



1002-0060,

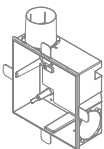
1002-0061

Flush-mounted Taris,
axial: 8-11



1002-0064, 1002-0066, 1002-0068
1002-0070

1002-0072, 1002-0074



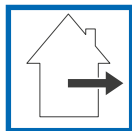
1002-0060,

1002-0061

Flush-mounted Taris,
radial: 12-15

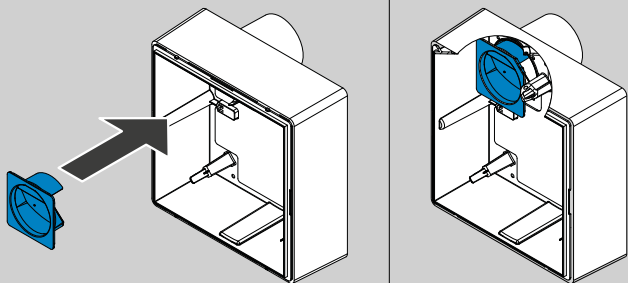


Download
Manual

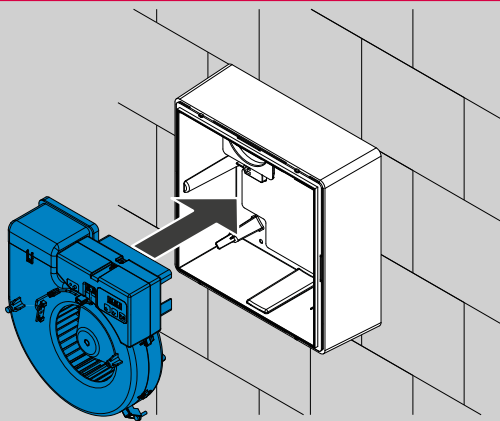


Surface-mounted Taris

1

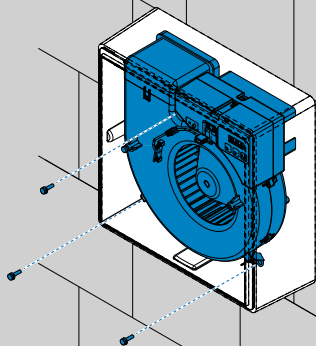


2

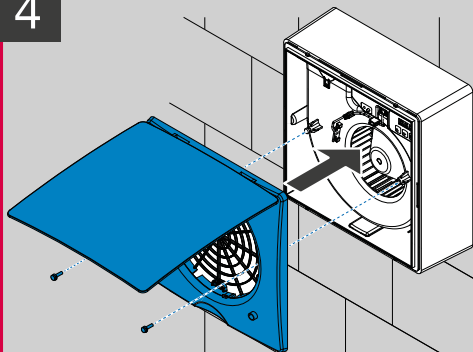


Surface-mounted Taris

3

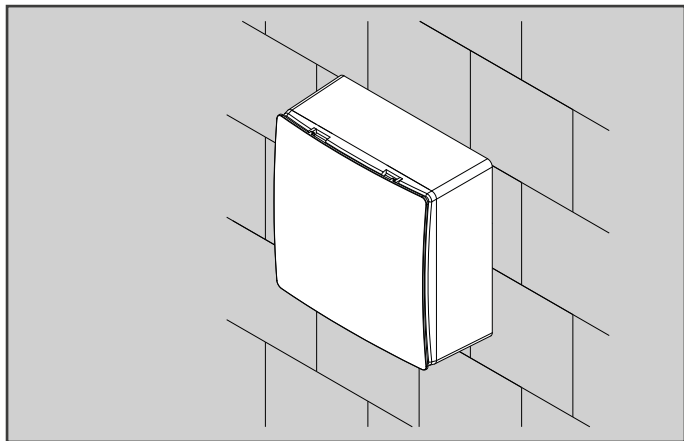
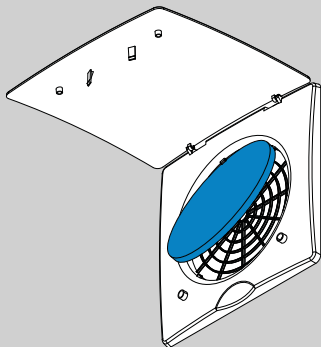


4



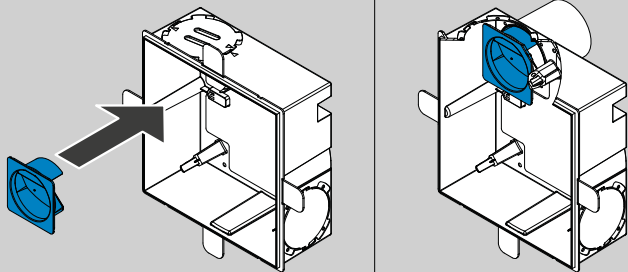
Surface-mounted Taris

5

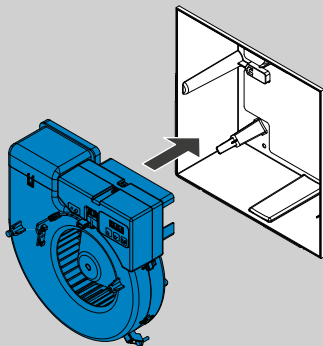


Flush-mounted Taris, axial

1

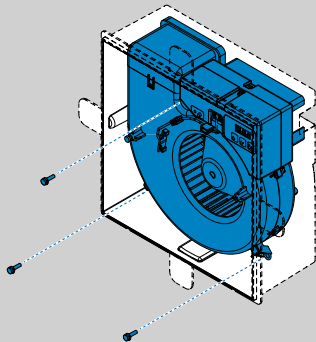


2

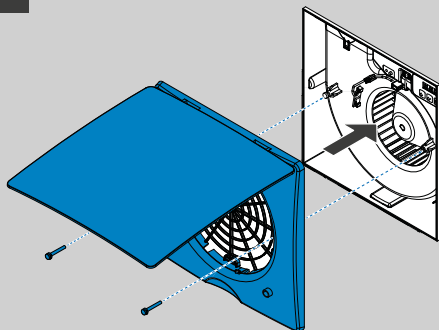


Flush-mounted Taxis, axial

3

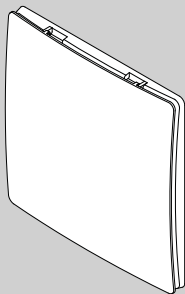
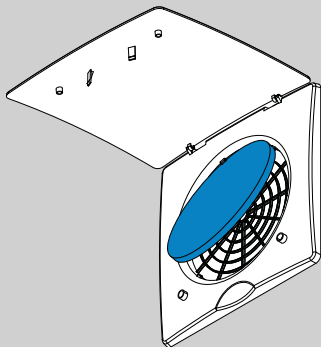


4



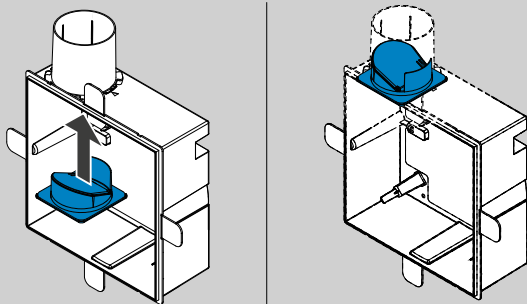
Flush-mounted Taxis, axial

5

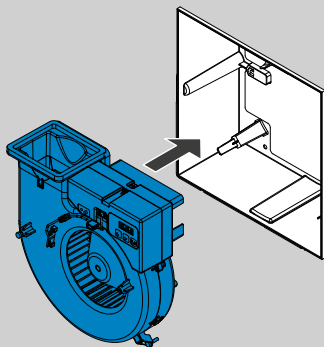


Flush-mounted Taris, radial

1

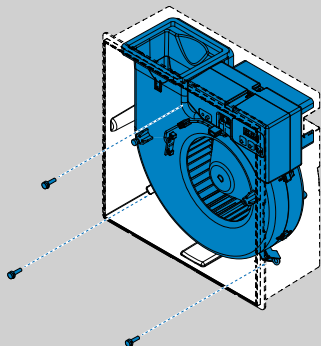


2

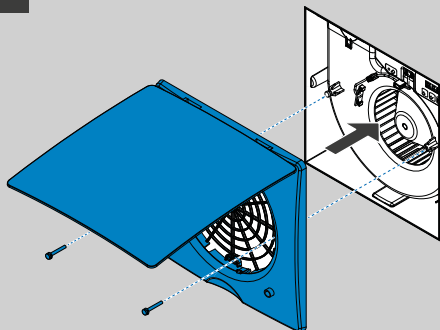


Flush-mounted Taris, radial

3

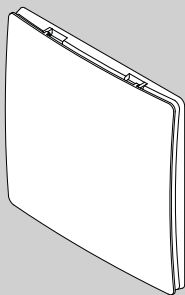
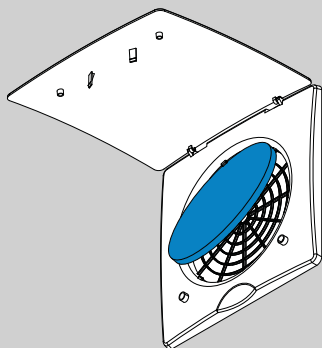


4



Flush-mounted Taris, radial

5





Dieses Dokument ist nur in Verbindung mit der Original-Gebrauchsanleitung der inVENTer-Lüftungsgeräte gültig. Lesen

Sie sich die Originalanleitung gut durch und beachten Sie die Sicherheitshinweise. | **This documentation is only valid in conjunction with the inVENTer ventilation system's original instructions.** Carefully read the original documenta-

tion before beginning your work and observe all safety and warning instructions. |

Dit document is alleen geldig in combinatie met de originele gebruiksaanwijzing van de inVENTer ventilatie-units. Lees de originele instructies

aandachtig door, volg de veiligheidsinstructies en neem de waarschuwingen in acht. | **Questo documento è valide solo in combinazione con il Istruzioni d'uso originali dell'unità di ventilazione inVENTer.** Leggere attentamente le istruzioni

originali e osservare le istruzioni di sicurezza. | **Ce document est valide uniquement en conjonction avec les instructions d'origine du système de ventilation inVENTer.** Prière de lire attentivement les instructions d'origine et

observez les consignes de sécurité. | **Tento dokument je platný pouze ve spojení s původním návodem pro použití větracích jednotek inVENTer.** Přečtěte si

pozorně originální návod na použití a dodržujte bezpečnostní pokyny. | **Esta documentación solo es válida junto con las instrucciones originales del sistema de ventilación inVENTer.** Lea atentamente la documenta-

ción original antes de comenzar su trabajo y observe todas las instrucciones de seguridad. | 이 기록 문서는 인벤터 환기 시스템의 오리지널 지침서와 연관되어서

만 유효 합니다. 작업을 시작하기 전에 오리지널 기록 문서를 주의 깊게 읽어 주시고 모든 안전과 경고 지침을 준수 하여 주시기 바랍니다.

inVENTer GmbH

Ortsstraße 4a

D-07751 Löberschütz, Germany

<https://www.inventer.eu>

1.0 – 04/2024

Item No.: 5011-0018



Download
Manual

